



B 90 R Classic

Compact, high productivity ride-on scrubber dryer with advanced features



1 Extremely easy to manoeuvre

- The extra short and sleek design makes this machine extremely agile and easy to manoeuvre – despite the large water capacity.
- 90° steering allows on-the-spot turning.



2 Simple operation

- The basic functions are controlled with the EASY switch.
- Operating hours are displayed.



3 Long operating time

- Large compartment for large battery capacity. Pack models include maintenance-free gel batteries.
- Two turbine power settings - save energy in the WHISPER setting.



4 Quick replacement

- The brush head is easy to replace without tools.
- R-head rollers can be changed in seconds.



B 90 R Classic

- Very easy to use
- With operating hour counter
- For maintenance cleaning

Technical data

Order Number	1.161-307.0	
EAN code	4039784497856	
Working width, brush	mm	550
Working width, vacuum	mm	850
Fresh / waste water tank	l	90 / 90
Theoretical area performance	m ² /h	4500
Battery voltage	V	24
Battery capacity	Ah	170
Motor rating	W	2200
Waste container	l	5 + 7
Weight	kg	272
Dimensions (L x W x H)	mm	1450 × 800 × 1200
Sound level	dB(A)	69

Equipment

Traction drive	■
Battery and charger included	■
Automatic water stop	■
Battery type	maintenance-free
DOSE	-
2-tank system	■

■ Included in delivery.

ACCESSORIES FOR B 90 R CLASSIC

1.161-307.0



2

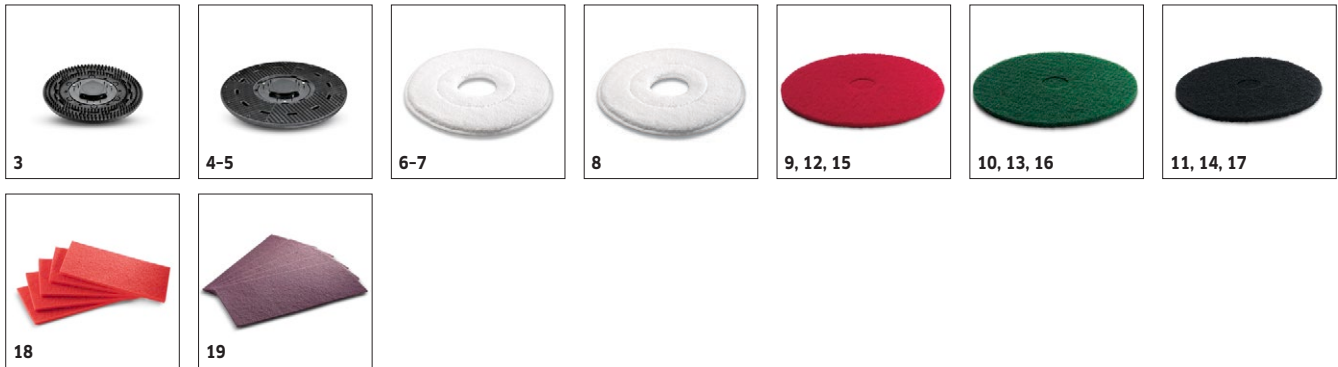
		Order Number	Quantity	Battery voltage	Battery capacity	Battery type	Price	Description	
Batteries									
Drive battery maintenance free replaceme	1	4.035-181.0	1 piece(s)	6 V	170 Ah	mainten- ance- free			<input checked="" type="checkbox"/>
Battery kit	2	6.654-124.0	1 piece(s)	6 V	180 Ah	mainten- ance- free		6 pcs required	<input type="checkbox"/>

■ Included in delivery. □ Available accessories.

ACCESSORIES FOR B 90 R CLASSIC

1.161-307.0

KÄRCHER

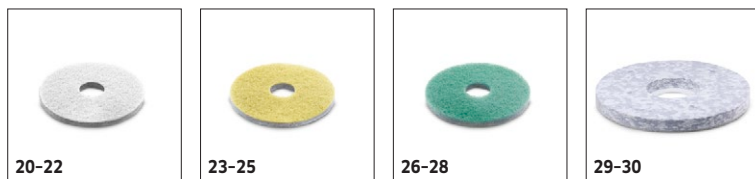


		Order Number	Hardness/ Brush type	Diameter	Colour	Quantity	Price	Description	
Pad drive board									
Disk pad BD65	1	4.762-590.0				1 piece(s)			<input type="checkbox"/>
Pad disk complete STRONG BD75	2	4.762-591.0				1 piece(s)			<input type="checkbox"/>
Pad drive board	3	4.762-445.0		280 mm		1 piece(s)		Pad driver plate for cleaning with pads, 280 mm diameter. With quick-change coupling, hook plate and centre lock. Suitable for, e.g. D 55.	<input type="checkbox"/>
	4	4.762-446.0		335 mm		1 piece(s)		Pad driver plate for cleaning with pads, 335 mm diameter. With quick-change coupling, hook plate and centre lock. Suitable for, e.g. D 65.	<input type="checkbox"/>
	5	4.762-447.0		375 mm		1 piece(s)		Pad driver plate for cleaning with pads, 335 mm diameter. With quick-change coupling, hook plate and centre lock. Suitable for, e.g. D 75.	<input type="checkbox"/>
Microfibre pad									
Microfibre pad	6	6.371-078.0	Microfibre	381 mm	white	5 piece(s)		5 microfibre pads, white With centre hole, 381 mm diameter. Excellent cleaning power. Also effectively cleans fine stoneware tiles. Suitable for, e.g. D 75, BD 75/140 R and BD 40/25 C.	<input type="checkbox"/>
	7	6.369-959.0	Microfibre	356 mm	white	5 piece(s)		5 microfibre pads, white With centre hole, 356 mm diameter. Excellent cleaning power. Also effectively cleans fine stoneware tiles. Suitable for, e.g. D 65.	<input type="checkbox"/>
	8	6.369-120.0	Microfibre	280 mm	white	5 piece(s)			<input type="checkbox"/>
Pads									
Pad	9	6.369-003.0	medium-soft	356 mm	red	5 piece(s)		5 pads, medium-soft, red, 356 mm diameter. For cleaning all floors. Suitable for, e.g. D 65.	<input type="checkbox"/>
	10	6.369-002.0	medium-hard	356 mm	green	5 piece(s)		5 pads, medium-hard, green, 356 mm diameter. For removing stubborn dirt and basic cleaning. Suitable for, e.g. D 65.	<input type="checkbox"/>
	11	6.369-001.0	hard	356 mm	black	5 piece(s)		5 pads, hard, black, 356 mm diameter. For removing stubborn dirt and basic cleaning. Suitable for, e.g. D 65.	<input type="checkbox"/>
	12	6.369-791.0	medium-soft	381 mm	red	5 piece(s)		5 pads, medium-soft, red, 381 mm diameter. For cleaning all floors. Suitable for, e.g. D 75.	<input type="checkbox"/>
	13	6.369-790.0	medium-hard	381 mm	green	5 piece(s)		5 pads, medium-hard, green, 457 mm diameter. For removing stubborn dirt and basic cleaning. Suitable for, e.g. D 75.	<input type="checkbox"/>
	14	6.369-789.0	hard	381 mm	black	5 piece(s)		5 pads, hard, black, 381 mm diameter. For removing stubborn dirt and basic cleaning. Suitable for, e.g. D 75.	<input type="checkbox"/>
	15	6.371-153.0	medium-soft	280 mm	red	5 piece(s)		5 pads, medium-soft, red, 280 mm diameter. For cleaning all floors. Suitable for, e.g. D 55.	<input type="checkbox"/>
	16	6.371-154.0	medium-hard	280 mm	green	5 piece(s)		5 pads, medium-hard, green, 280 mm diameter. For removing stubborn dirt and basic cleaning. Suitable for, e.g. D 55.	<input type="checkbox"/>
	17	6.371-155.0	hard	280 mm	black	5 piece(s)		5 pads, hard, black, 280 mm diameter. For removing stubborn dirt and basic cleaning. Suitable for, e.g. D 55.	<input type="checkbox"/>
	18	6.371-000.0	medium-soft	650 mm	red	5 piece(s)		Medium-hard pad (650 x 300 mm) in red version for cleaning all floors in combination with the S 65 head.	<input type="checkbox"/>
	19	4.642-025.0	hard	650 mm	brown	5 piece(s)		Tough, brown pad (650 x 300 mm) including Velcro fastener. For restoring shine in combination with the S 65 head. Only for insensitive surfaces.	<input type="checkbox"/>

■ Included in delivery. □ Available accessories.

ACCESSORIES FOR B 90 R CLASSIC

1.161-307.0



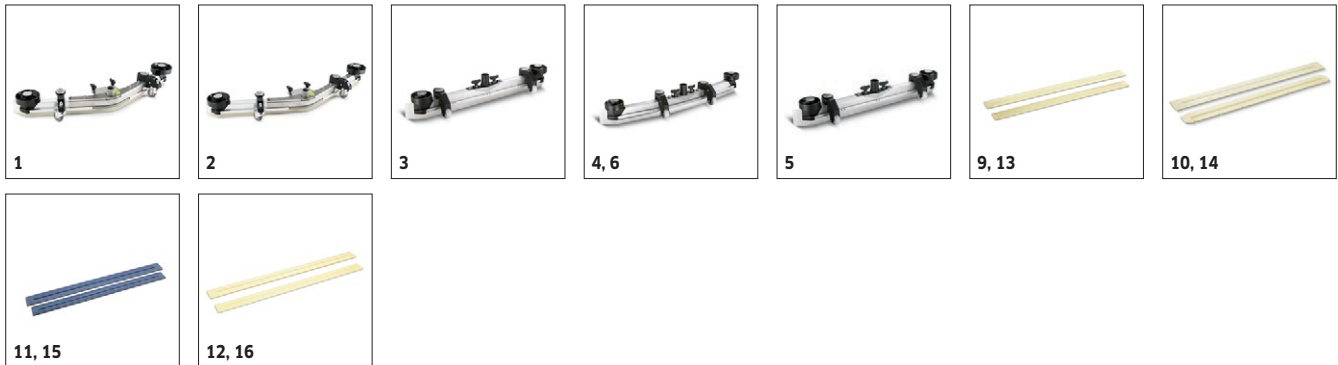
		Order Number	Hardness/ Brush type	Diameter	Colour	Quantity	Price	Description	
Diamond pads									
Diamond pad	20	6.371-250.0	coarse	356 mm	white	5 piece(s)			<input type="checkbox"/>
	21	6.371-252.0	coarse	385 mm	white	5 piece(s)			<input type="checkbox"/>
	22	6.371-246.0	coarse	280 mm	white	5 piece(s)			<input type="checkbox"/>
	23	6.371-251.0	medium	356 mm	yellow	5 piece(s)			<input type="checkbox"/>
	24	6.371-253.0	medium	385 mm	yellow	5 piece(s)			<input type="checkbox"/>
	25	6.371-247.0	medium	280 mm	yellow	5 piece(s)			<input type="checkbox"/>
	26	6.371-235.0	fine	356 mm	green	5 piece(s)			<input type="checkbox"/>
	27	6.371-236.0	fine	385 mm	green	5 piece(s)			<input type="checkbox"/>
	28	6.371-233.0	fine	280 mm	green	5 piece(s)			<input type="checkbox"/>
Melaminpads									
Pad set 2x D 356 Melamin	29	6.371-021.0		356 mm		2 piece(s)			<input type="checkbox"/>
Pad set 2x D 381 Melamin	30	6.371-022.0		381 mm		2 piece(s)			<input type="checkbox"/>

■ Included in delivery. □ Available accessories.

ACCESSORIES FOR B 90 R CLASSIC

1.161-307.0

KÄRCHER

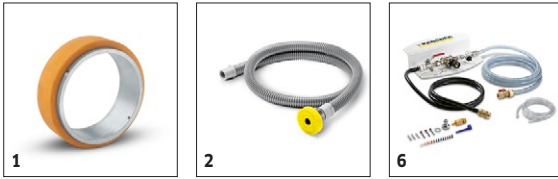


		Order Number	Length	Colour	Quantity	Price	Description	
Suction bar, complete								
Squeegee	1	4.777-079.0	900 mm	transparent	1 piece(s)			<input type="checkbox"/>
	2	4.777-080.0	1000 mm	transparent	1 piece(s)			<input type="checkbox"/>
	3	4.777-401.0	850 mm	transparent	1 piece(s)		Straight, with support rollers. Squeegee blades of oil-resistant, transparent polyurethane.	<input type="checkbox"/>
	4	4.777-411.0	850 mm	transparent	1 piece(s)		Curved, with support rollers. Squeegee blades of oil-resistant, transparent polyurethane.	<input type="checkbox"/>
	5	4.777-402.0	940 mm	transparent	1 piece(s)		Straight, with support rollers. Squeegee blades of oil-resistant, transparent polyurethane.	<input type="checkbox"/>
	6	4.777-412.0	940 mm	transparent	1 piece(s)		Curved, with support rollers. Squeegee blades of oil-resistant, transparent polyurethane.	<input type="checkbox"/>
Squeegees for suction bars								
Rubber lip set corrugated oil resistant	7	6.273-023.0	1010 mm	transparent	2 parts			<input type="checkbox"/>
	8	6.273-024.0	1116 mm	transparent	2 parts			<input type="checkbox"/>
Suction lips	9	6.273-207.0	890 mm	transparent	2 parts		Standard, grooved, oil-resistant.	<input type="checkbox"/>
	10	6.273-229.0	890 mm	transparent	2 parts		Slotted, oil-resistant, polyurethane, for sensitive floors.	<input type="checkbox"/>
	11	6.273-213.0	890 mm	blue	2 parts		Fluted, standard, natural rubber.	<input type="checkbox"/>
	12	6.273-290.0	890 mm	transparent	2 parts		Closed, oil-resistant, for structured floors.	<input type="checkbox"/>
	13	6.273-208.0	960 mm	transparent	2 parts		Standard, grooved, oil-resistant.	<input type="checkbox"/>
	14	6.273-205.0	960 mm	transparent	2 parts		Slotted, oil-resistant, for sensitive floors.	<input type="checkbox"/>
	15	6.273-214.0	960 mm	blue	2 parts		Grooved, natural rubber.	<input type="checkbox"/>
	16	6.273-291.0	960 mm	transparent	2 parts		Closed, oil-resistant, for structured floors.	<input type="checkbox"/>

■ Included in delivery. □ Available accessories.

ACCESSORIES FOR B 90 R CLASSIC

1.161-307.0

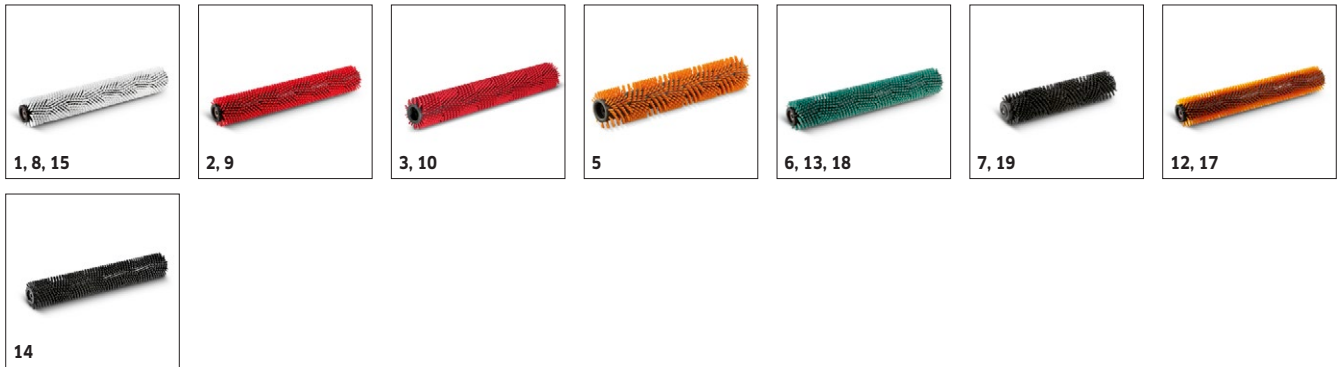


		Order Number	Length	Colour	Quantity	Price	Description	
Wheels/tyres								
Wheel, super traction	1	6.435-403.0		yellow	1 piece(s)			<input type="checkbox"/>
Miscellaneous								
Filling hose	2	6.680-124.0	1,5 m		1 piece(s)			<input type="checkbox"/>
Additional weight kit	3	5.031-498.0			1 piece(s)		ensures that squeegee glides optimally	<input type="checkbox"/>
Add-on kit ecolzero	4	5.388-133.0			1 piece(s)			<input type="checkbox"/>
Filter only for replacement	5	6.414-976.0			1 piece(s)			<input type="checkbox"/>
RM Dosierstation								
Cleaning agent dosage kit, wall mounted DS 3	6	2.641-811.0			1 piece(s)		Directly connectable with the tab, water and detergent will be filled in the fresh water tank in the preset mixture. Can also be used with filling system kit.	<input type="checkbox"/>

■ Included in delivery. □ Available accessories.

ACCESSORIES FOR B 90 R CLASSIC

1.161-307.0



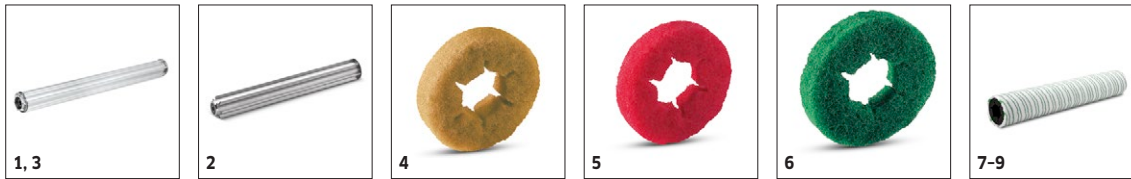
		Order Number	Hardness/ Brush type	Length	Colour	Quantity	Price	Description	
Roller brushes for BR									
Roller brush	1	6.906-977.0	soft	532 mm	white	1 piece(s)		Soft, for cleaning sensitive surfaces and for polishing. Fits on R 55.	<input type="checkbox"/>
	2	6.906-934.0	medium	532 mm	red	1 piece(s)		Medium, for all floors. Standard with R 55.	<input type="checkbox"/>
	3	6.907-413.0	medium	532 mm	red	1 piece(s)			<input type="checkbox"/>
Roller brush red for replacement BR 55	4	4.035-193.0	medium	532 mm	red	1 piece(s)			<input type="checkbox"/>
Roller brush	5	6.906-978.0	high / low	532 mm	orange	1 piece(s)		Medium hard, for cleaning strong structured floors and deeper joints. Fits R 55.	<input type="checkbox"/>
	6	6.906-979.0	hard	532 mm	green	1 piece(s)		Hard, for heavy soiling and for deep cleaning; for unsensitive floors only. Fits R 55.	<input type="checkbox"/>
	7	6.906-980.0	very hard	532 mm	black	1 piece(s)		Very hard, for extremely sticky dirt and for deep cleaning; for unsensitive surfaces only. Fits R 55.	<input type="checkbox"/>
	8	6.906-981.0	soft	638 mm	white	1 piece(s)		Soft, for cleaning sensitive surfaces and for polishing. Fits on R 65.	<input type="checkbox"/>
	9	6.906-935.0	medium	638 mm	red	1 piece(s)		Roller brush, medium-hard, red. Length: 638 mm. With wear-resistant star-wheel mechanism. For normal use. Bristles: Polypropylene, 0.5 mm thick, 20 mm long.	<input type="checkbox"/>
	10	6.907-414.0	medium	638 mm	red	1 piece(s)			<input type="checkbox"/>
Roller brush red for replacement BR65	11	4.035-187.0	medium	638 mm	red	1 piece(s)			<input type="checkbox"/>
Roller brush	12	6.906-982.0	high / low	638 mm	orange	1 piece(s)		Medium hard, for cleaning strong structured floors and deeper joints. Fits R 65.	<input type="checkbox"/>
	13	6.906-983.0	hard	638 mm	green	1 piece(s)		Roller brush, hard, green. Length: 638 mm. Wear-resistant star-wheel mechanism. For heavily soiled floors and basic cleaning. Bristles: Polyamide with silicon carbide, 0.6 mm thick, 20 mm long.	<input type="checkbox"/>
	14	6.906-984.0	very hard	638 mm	black	1 piece(s)		Very hard, for extremely sticky dirt and for deep cleaning; for unsensitive surfaces only. Fits R 65.	<input type="checkbox"/>
	15	6.906-985.0	soft	700 mm	white	1 piece(s)		Soft, for cleaning sensitive surfaces and for polishing. Fits on R 75.	<input type="checkbox"/>
Roller brush red for replacement BR 75	16	4.035-190.0	medium	700 mm	red	1 piece(s)			<input type="checkbox"/>
Roller brush	17	6.906-986.0	high / low	700 mm	orange	1 piece(s)		Medium hard, for cleaning strong structured floors and deeper joints. Fits R 75.	<input type="checkbox"/>
	18	6.906-987.0	hard	700 mm	green	1 piece(s)		Hard, for heavy soiling and for deep cleaning; for unsensitive floors only. Fits to brush head R 75.	<input type="checkbox"/>
	19	6.906-988.0	very hard	700 mm	black	1 piece(s)		Very hard, for extremely sticky dirt and for deep cleaning; for unsensitive surfaces only. Fits to brush head R 75.	<input type="checkbox"/>

■ Included in delivery. □ Available accessories.

ACCESSORIES FOR B 90 R CLASSIC

1.161-307.0

KÄRCHER



		Order Number	Hardness/ Brush type	Length	Diame- ter	Colour	Price	Description	
Roller pad shaft									
Roller pad shaft	1	4.762-432.0		532 mm				Roller pad shaft, aluminium For roller pads or microfibre rollers, length 532 mm. Fits brush head R 55.	<input type="checkbox"/>
	2	4.762-433.0		638 mm				Roller pad shaft, aluminium For roller pads or microfibre rollers, length 638 mm. Fits brush head R 56.	<input type="checkbox"/>
	3	4.762-434.0		700 mm				fits R 75	<input type="checkbox"/>
Roller pads									
Roller pad	4	6.369-454.0	soft		105 mm	yellow		Roller pads (x20) soft, yellow. For polishing and cleaning non-structured floors. Suitable for use with appropriate pad roller shaft.	<input type="checkbox"/>
	5	6.369-456.0	medium		105 mm	red		Roller pads (x20), medium, red. For cleaning non-structured floors. Suitable for use with appropriate pad roller shaft. About 7 to 7.5 pads are required per 10 cm shaft length.	<input type="checkbox"/>
	6	6.369-455.0	hard		105 mm	green		Roller pads (x20), hard, green. For removing stubborn dirt and basic cleaning of non-structured floors. Suitable for use with appropriate pad roller shaft.	<input type="checkbox"/>
Microfibre shaft									
Microfibre roller	7	4.114-005.0	Microfibre	532 mm	105 mm	light green		World innovation: application of microfibre rollers combines the excellent cleaning properties of microfibres with the benefits of the roller brush technology. Combined with roller pad shaft 4.762-432.0. Fits on R 55.	<input type="checkbox"/>
	8	4.114-006.0	Microfibre	638 mm	105 mm	light green		World innovation: application of microfibre rollers combines the excellent cleaning properties of microfibres with the benefits of the roller brush technology. Combined with roller pad shaft 4.762-433.0. Fits on R 65.	<input type="checkbox"/>
	9	4.114-007.0	Microfibre	700 mm	105 mm	light green		World innovation: application of microfibre rollers combines the excellent cleaning properties of microfibres with the benefits of the roller brush technology. Combined with roller pad shaft 4.762-434.0. Fits on R 75.	<input type="checkbox"/>

■ Included in delivery. □ Available accessories.

ACCESSORIES FOR B 90 R CLASSIC

1.161-307.0

KÄRCHER



		Order Number	Hardness/ Brush type	Diameter	Colour	Quantity	Price	Description	
Disc Brushes for BD									
Disc brush	1	4.905-015.0	very soft	300 mm	white	1 piece(s)		very soft, white, for cleaning sensitive surfaces and for polishing; fits D 55	<input type="checkbox"/>
	2	4.905-016.0	soft	300 mm	natural	1 piece(s)		Made of natural fibres, for spray cleaning and for polishing. Fits D 55.	<input type="checkbox"/>
	3	4.905-014.0	medium	300 mm	red	1 piece(s)		Disc brush, medium-hard, red, 300 mm diameter. For normal use. Also suitable for sensitive floors. Standard for brush head D 55.	<input type="checkbox"/>
	4	4.905-017.0	hard	300 mm	black	1 piece(s)		Hard, for heavy soiling and for deep cleaning. For unsensitive floors only. Fits D 55.	<input type="checkbox"/>
	5	4.905-011.0	very soft	355 mm	white	1 piece(s)		Disc brush, very soft, white, 355 mm diameter. For cleaning sensitive floors and polishing. Fits brush head D 65. Bristle length: 41 cm.	<input type="checkbox"/>
	6	4.905-012.0	soft	355 mm	natural	1 piece(s)		Made of natural fibres, for spray cleaning and for polishing. Fits D 65.	<input type="checkbox"/>
	7	4.905-010.0	medium	355 mm	red	1 piece(s)		Disc brush, medium-hard, red, 355 mm diameter. For normal use. Also suitable for sensitive floors. Standard brush head D 65.	<input type="checkbox"/>
	8	4.905-013.0	hard	355 mm	black	1 piece(s)		Hard, for heavy soiling and for deep cleaning. For unsensitive floors only. Fits D 65.	<input type="checkbox"/>
	9	4.905-019.0	very soft	385 mm	white	1 piece(s)		Very soft, for cleaning sensitive surfaces and for polishing. Fits D 75.	<input type="checkbox"/>
	10	4.905-020.0	soft	385 mm	natural	1 piece(s)		Made of natural fibres, for spray cleaning and for polishing. Fits D 75.	<input type="checkbox"/>
	11	4.905-018.0	medium	385 mm	red	1 piece(s)		Medium, for all floors. Standard with D 75.	<input type="checkbox"/>
	12	4.905-021.0	hard	385 mm	black	1 piece(s)		Hard, for heavy soiling and for deep cleaning. For unsensitive floors only. Fits D 75.	<input type="checkbox"/>

■ Included in delivery. □ Available accessories.

ACCESSORIES FOR B 90 R CLASSIC

1.161-307.0



		Order Number	Length	Diameter	Quantity	Price	Description	
Other attachment kits								
Suction hose accessories	1	4.444-015.0	3,25 m		1 piece(s)			<input type="checkbox"/>
Support roller kit	2	2.641-773.0			1 piece(s)			<input type="checkbox"/>
Flashing light kit	3	2.641-718.0			1 piece(s)			<input type="checkbox"/>
Filling system kit	4	2.641-748.0			1 piece(s)			<input type="checkbox"/>

■ Included in delivery. □ Available accessories.